

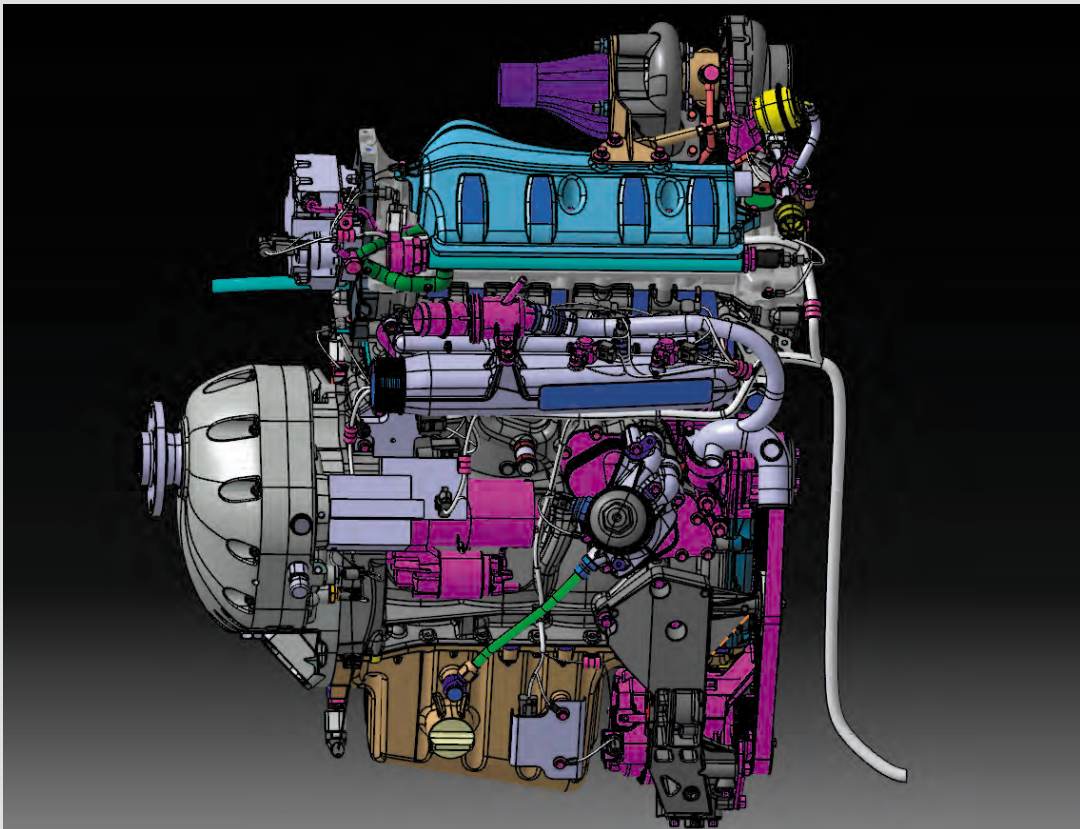


Austro Engine

Product Program

Jet A1 Piston Engines

AE 300



AE 300

Technical Data

General

The AE 300 is a liquid-cooled, in-line four-stroke four cylinder engine with a double overhead camshaft (DOHC). Every cylinder has four valves which are actuated by the cam follower. The direct fuel injection is realised with common rail technique and the engine is turbo charged. All engine components are controlled by an EEC system.

Scope of Supply

The engine is equipped with an electrical starter, an alternator, a water pump, an oil pump, a coolant system, an intercooler and an oil cooler. The propeller is driven by a directly integrated gearbox with an integral torsional vibration damper.

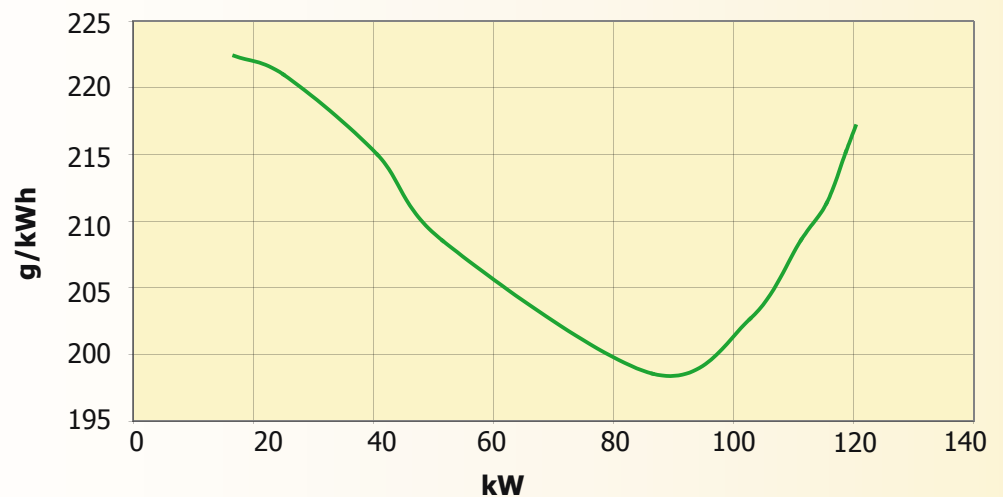
Performance

Power		Torque	
kW	123,5	Nm	304
hp	165,6	lbf in	2690
1/min	3880	1/min	3880

Dimensions / Weight

Displacement	1991 cm ³	121,5 cu in
Bore	83 mm	3.26 in
Stroke	92 mm	3.62 in
Weight (wet)	185 kg	414 lbs
Gear Ratio	1,69	

Fuel Consumption at Engine Test Bench



Content may change without notice. April 30, 2008